

## CAT IV 600V Flexible Current Probes

The **CAT IV 600V flexible current probes** are high performance current sensors specifically designed as an accessory for CHK Power Quality instruments used on energised circuits and in CAT IV environments.



Figure 1: CAT IV 600V flexible current probe

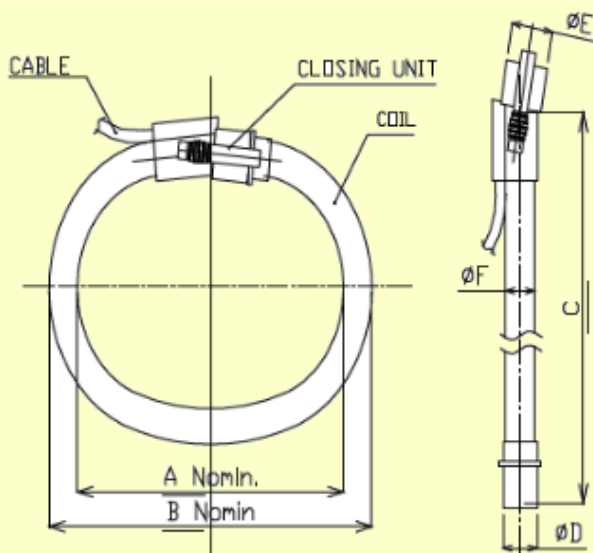


Figure 2: Dimensions

Part number	To be used with
1AF3000-3 1AF3000-6 1AF3000-9	MIRO PQ45 Power Quality Logger and Analyser
1AFF3000-3 1AFF3000-6 1AFF3000-9	MIRO PQ35 Power Quality Logger and Analyser
	MIRRIN load logger

Table1: Instrument accessories

### Dimensions

Cable length (m)	2	2	2
Probe inside diameter (mm) <b>A</b>	90	170	270
Probe outside diameter (mm) <b>B</b>	121	201	301
Probe length (mm) <b>C</b>	350	600	900
Cap coupling cross section (mm) <b>D</b>	18	18	18
Cap coupling cross section (mm) <b>E</b>	23	23	23
Coil cross section (mm) <b>F</b>	15.5	15.5	15.5

### Specifications

Rated input current	3000A
Maximum input current	100kA @ (50/60)Hz
Output signal	100mV/kA @ 50Hz
Accuracy	± 1% (calibrated)
Linearity	± 0.2% (calibrated)
Position error	± 2% max.
External field	± 0.5% max.
Temperature coefficient	± 0.07% /°C max.
Frequency range	20Hz - 5kHz
Working voltage	1000V max. @ (50/60)Hz
Transducer and cable	Thermoplastic RUBBER, flame retardant UL 94 V-O rated
Couplings	Polypropylene UL 94 V-O rated
Colour	Blue (transducer); Black (cable and couplings)
Cable	1000V UL Style 20940; Diameter: 5.5mm - wires 2 x 24AWG
Shield	85% coil, 100% cable
Weight	300 grams
Safety class	CAT IV 600V as per IEC 61010-1-2003
Operating temperature	-20°C to 70°C
Operating humidity	85% non-condensing
Pollution degree	2
Maximum altitude	2000m