

## High Sensitivity CAT IV 600V Flexible Current Probes

The **high sensitivity CAT IV 600V flexible current probes** are a high performance current sensor specifically designed as an accessory for CHK Power Quality instruments used on energised circuits and in CAT IV environments.

The high sensitivity coils are purposely designed to facilitate dual measurement ranges with upper limits of 500A or 3000A and lend themselves to a wide range of applications, avoiding the need to swap probes.

Part number	To be used with
1AF3000-6-H	MIRO PQ45 Power Quality Logger and Analyser
1AFF3000-6-H	MIRO PQ35 Power Quality Logger and Analyser
	MIRRIIN load logger

Table1: Instrument accessories



Figure 1: High sensitivity CAT IV 600V flexible current probe

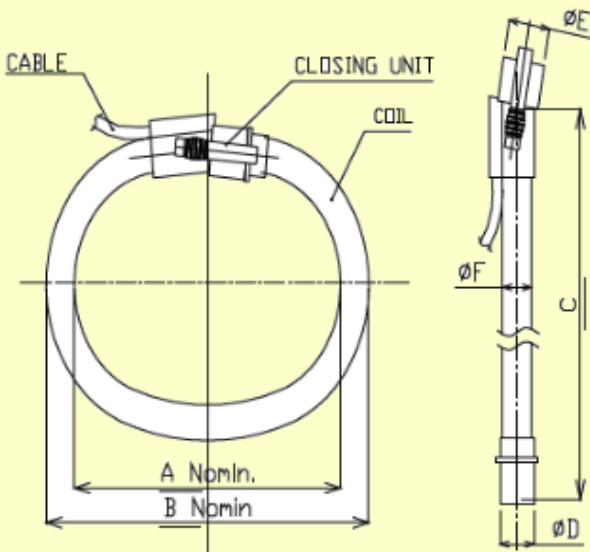


Figure 2: Dimensions

### Specifications

Rated input current	500A or 3000A
Maximum input current	100kA @ (50/60)Hz
Output signal	250mV/500A @ 50Hz
Accuracy	± 1% (calibrated)
Linearity	± 0.2% (calibrated)
Position error	± 2% max.
External field	± 0.5% max.
Temperature coefficient	± 0.07% / °C max.
Frequency range	20Hz - 5kHz
Working voltage	1000V max. @ (50/60)Hz
Cable length	2m
Probe inside diameter	<b>A:</b> 170mm
Probe outside diameter	<b>B:</b> 201mm
Probe length	<b>C:</b> 600mm
Cap coupling cross sec.	<b>D:</b> 18mm (min.)
Cap coupling cross sec.	<b>E:</b> 23mm (max.)
Coil cross-section	<b>F:</b> 15.5mm
Transducer and cable	Thermoplastic RUBBER, flame retardant UL 94 V-O rated
Couplings	Polypropylene UL 94 V-O rated
Colour	Red (transducer); Black (cable and couplings)
Cable	1000V UL Style 20940; Diameter: 5.5mm - wires 2 x 24AWG
Shield	85% coil, 100% cable
Weight	300 grams
Safety class	CAT IV 600V as per IEC 61010-1-2003
Operating temperature	-20°C to 70°C
Operating humidity	85% non-condensing
Pollution degree	2
Maximum altitude	2000m