

POWER METER ACCESSORY

ENTERCEPT® NETWORKED POWER TRANSDUCCERS (MODBUS® RTU)



APPLICATIONS

- Energy managing & performance contracting
- Monitoring for commercial tenants
- Activity-based costing in commercial & industrial facilities
- Remote Control
- Real-time power monitoring

FEATURES

The world's most cost-effective power transducer

- Monitor energy parameters (kW, kWh, kVAR, PF, 4c amps, volts) at up to 63 locations on a single RS-485 network...greatly reduces wiring time and cost
- Fast split-core installation eliminates the need to remove conductors...saves time and labor
- Precision electronics and current transformers in a single package...reduces the number of installed components... huge labor savings
- Smart electronics eliminate CT orientation concerns...fast trouble-free installation

High accuracy

- +/- 1% total system accuracy, (10% of CT rating)

DESCRIPTION

The Enercept H8036 are innovative three-phase networked (Modbus RTU) power transducers that combine measurement electronics and high accuracy industrial grade CTs in a single package. The need for external electrical enclosures is eliminated, greatly reducing installation time and cost.

The Enercept Enhanced power transducers (H8036) output 26 variables including kW, kWh, volts, amps, and power factor, making them ideal for monitoring and diagnostics.

Color-coordination between voltage leads and CTs makes phase matching easy. Additionally, the Enercept automatically detects and compensates for phase reversal, eliminating the concern of CT load orientation. Up to 63 Enercepts can be daisy-chained on a single RS-485 network.

SPECIFICATIONS

Inputs:

Voltage Input 208 to 480VAC, 50/60 Hz RMS †(††)
Current Input Up to 2400A continuous per phase †

Accuracy:

System Accuracy ±1% of reading from 10% to 100% of the rated current of the CTs, accomplished by matching the CTs with electronics and calibrating them as a system

Outputs:

Type Modbus RTU**(*)
Baud Rate 9600, 8N1 format
Connection RS-485, 2-wire + shield

Environmental:

Operating Temperature Range 0° to 60°C (32° F to 140°F), 50°C (122°F) for 2400A
Humidity Range 0 - 95% non-condensing

UL, approved for California CSI Solar applications (check the CSI Solar website for model numbers)

** Detailed protocol specifications are available at: <http://www.veris.com/modbus>

* Other protocols available. Please consult factory.

† Contact factory to interface for voltages above 480VAC or current above 2400 Amps.

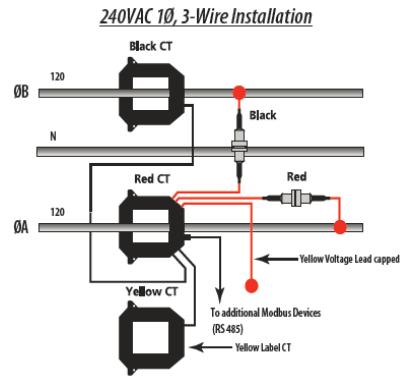
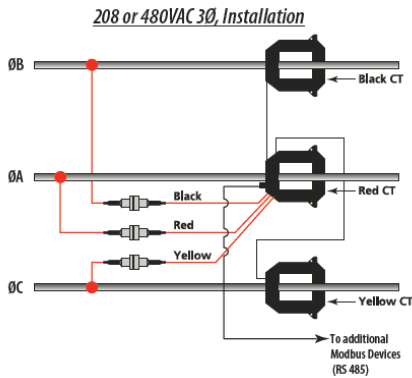
†† Do not apply 600V Class current transformers to circuits having a phase-to-phase voltage greater than 600V, unless adequate additional insulation is applied between the primary conductor and the current transformers. Veris assumes no responsibility for damage of equipment or personal injury caused by products operated on circuits above their published ratings.



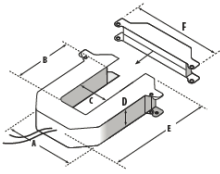
POWER METER ACCESSORY



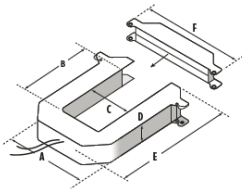
APPLICATION WIRING EXAMPLES



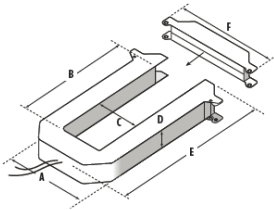
DIMENSIONAL DRAWINGS



SMALL
100/300 AMP
 A= 3.8" (96 mm)
 B= 1.2" (30 mm)
 C= 1.3" (31 mm)
 D= 1.2" (30 mm)
 E= 4.0" (100 mm)
 F= 4.8" (121 mm)



MEDIUM
400/800 AMP
 A= 4.9" (125 mm)
 B= 2.9" (73 mm)
 C= 2.5" (62 mm)
 D= 1.2" (30 mm)
 E= 5.2" (132 mm)
 F= 6.0" (151 mm)



LARGE
800/1600/2400 AMP
 A= 4.9" (125 mm)
 B= 5.5" (139 mm)
 C= 2.5" (62 mm)
 D= 1.2" (30 mm)
 E= 7.9" (201 mm)
 F= 6.0" (151 mm)

H8036
 kWh, Consumption
 kW, Real Power
 kVAR, Reactive Power
 kVA, Apparent Power
 Power Factor
 Average Real Power
 Minimum Real Power
 Maximum Real Power
 Voltage, L-L
 Voltage, L-N*
 Amps, Average Current
**Based on derived neutral voltage.*

ORDERING INFORMATION

MODBUS ENHANCED DATA STREAM POWER TRANSDUCERS*

MODEL	MAX. AMPS	CT SIZE
H8036-0100-2	100	SMALL
H8036-0300-2	300	SMALL
H8036-0400-3	400	MEDIUM
H8036-0800-3	800	MEDIUM
H8036-0800-4	800	LARGE
H8036-1600-4	1600	LARGE
H8036-2400-4	2400	LARGE

**H8036 models work with H8920-1 LON Nodes.*



www.omnimetrix.net
 770.209.0012 | info@omnimetrix.net

An ACORN ENERGY Company

Keeping life's activities uninterrupted through reliable connections.