

Miniature CAT II 600V Split Core Current Transformers

The **Miniature CAT II 600V Split Core Current Transformers** are lightweight, portable and fitted with an internal burden (voltage output) and therefore safe to use whilst not connected to a load. They are designed for quick and easy installation without disconnecting current carrying cables.

They are sold either with unterminated flying leads or terminated to your requirements.



Figure 1: Miniature CAT II 600V split core current transformers

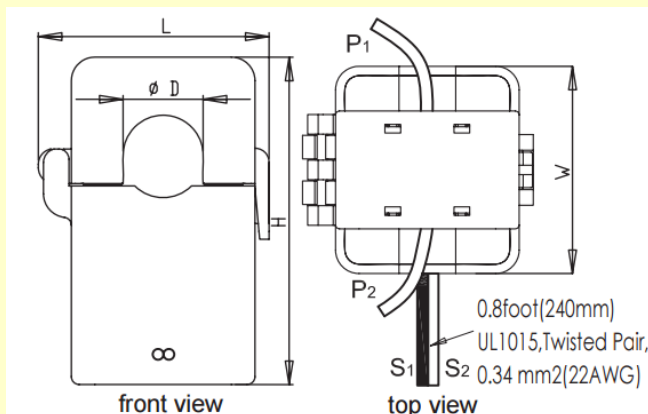


Figure 2: Dimensions

Applications

- Electric motors
- Control and protection
- lighting

- Air condition equipment
- HVAC temperature control
- Power management
- Building automation systems

Part number	Dimensions (mm)			
	D	L	W	H
CTSA010-25A	10.2	29.4	26.4	41.7
CTSA016-100A	16.2	36.9	39.2	52.9
CTSA024-200A	24.2	51.2	47	70.2
CTSA035-400A	35.2	65.8	51.2	83.5

Table1: Transformer dimensions

Part number	Primary current (A)	Class
CTSA010-25A	1-25	1.0
CTSA016-100A	5-100	0.5
CTSA024-200A	5-200	0.5
CTSA035-400A	5-400	0.5

Table2: Transformer accuracy

Specifications

Rated primary current	Refer to table 2
Rated secondary voltage	0.333V @ rated primary
Class (accuracy)	Refer to table 2
Phase error	Less than 60 minutes
Frequency range	50Hz - 400Hz
Operating temperature	-15°C to 50°C
Insulation resistance	100MΩ @ 500Vdc
Dielectric strength	2500Vrms for 1 min.
Working voltage	600Vac max.
Dimensions	Refer to table 1
Core material	Ferrite
Case material	Nylon, UL flame retardant
Resin rating	94-V0
ETL approved	CAT II 600V
RoHS compliant	
Leads	240mm (0.8Foot), UL1015, Twisted Pair, 0.34mm² (22AWG), The length can be customized.