

## 52 Series CAT III 600V AC/DC Current Clamp-On Probes

The **52 Series CAT III 600V AC/DC Current Clamp-On Probes** are high performance current converters incorporating a Hall Effect sensor within a split core window current transformer with low ratio and phase errors, and specifically designed as an accessory for CHK Power Quality instruments and used in CAT III 600V environments.



Figure 1: 52 series CAT IV 600V AC/DC current clamp-on probe

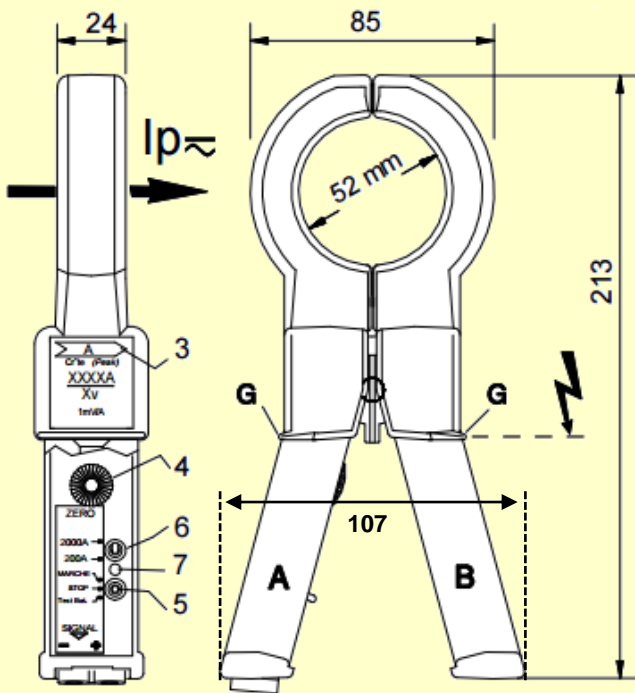


Figure 2: Dimensions

The zero adjust knob and the power indicator LED are located on the inside of a trigger arm.

### Connection to the MIRO

Once connected, the MIRO automatically detects and energises the AC/DC clamp. The red LED will glow to indicate that the clamp is energised.

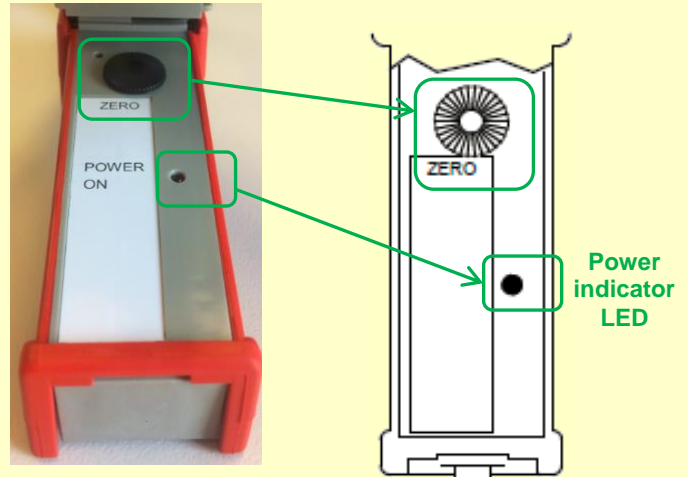


Figure 3: Zero adjust knob and power indicator LED

Part number	To be used with
1ADC500	MIRO PQ45 Power Quality Logger and Analyser
1ADCR500	MIRO PQ35 Power Quality Logger and Analyser

Table1: Instrument accessories

### Specifications

Rated input current	500A AC/DC
Maximum input current	120% of rated current
Output signal	2V at rated current
Zero adjustment	Yes
Sensor technology	Hall effect
Burden	10kΩ
Accuracy	2% (10-120)% of rated
Phase error	4° @ 1kHz
Frequency range	10kHz (-3dB)
Working voltage	600V
Dielectric strength	4kV@50Hz for 1 minute
Dimensions (H x W x L)	(24 x 107 x 213) mm
Jaw aperture	52 mm
Lead length / Weight	2m / 600 grams
Power indicator	Red LED
Enclosure colour	Red
Operating temperature	-10°C to 50°C
Protection class	CAT III 600V, pollution degree II, IEC 61010-2
Environment	Indoors