

15 Series CAT III 600V AC Current Clamp-On Probes

The **15 Series CAT III 600V AC Current Clamp-On Probes** are a high performance current sensor incorporating a split iron core window current transformer with low ratio and phase errors, specifically designed as an accessory for CHK Power Quality instruments and in CAT III environments.



Figure 1: 15 series CAT III 600V current clamp-on probe

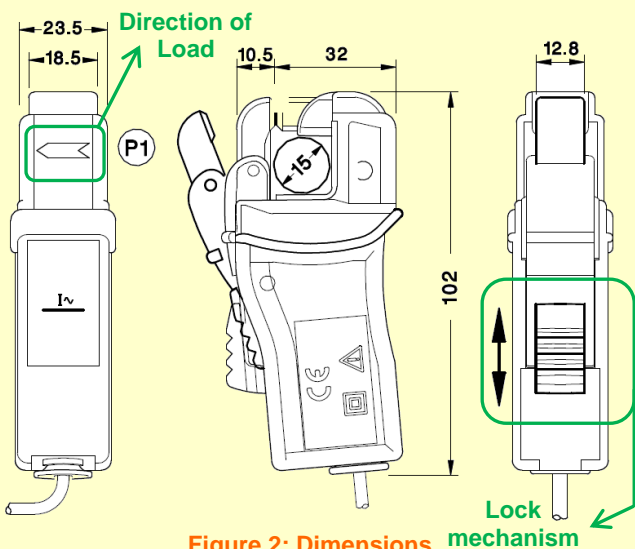


Figure 2: Dimensions

Part number	To be used with
1AC10	MIRO PQ45 Power Quality Logger and Analyser
1AC100S	
1ACR100S	MIRO PQ35 Power Quality Logger and Analyser
	MIRRIN load logger

Table2: Instrument accessories

Specifications

Rated input current	Refer to table 1
Maximum input current	120% of rated current
Output signal	Refer to table 1
Accuracy	± 1% at rated current
Phase error (10A type)	< 2° at rated current
Phase error (100A type)	3° at rated current
Temperature coefficient	0.015% / °C
Frequency range	40Hz - 10kHz
Working voltage	600V AC RMS or DC
Conductor size	15mm diameter, busbar (15 x 17) mm
Dimensions (H x W x L)	(23.8 x 42.5 x 102) mm
Lead length	2m
Weight	215 grams (118 grams excluding lead)
Colour	Grey / light grey
Safety class	CAT III 600V, pollution degree 2 as per IEC 61010-1-2010
Storage temperature	-20°C to 70°C
Operating temperature	-10°C to 55°C
Operating humidity	15% - 85% (non-condensing)

Part number	Rated current	Output signal
1AC10	10A	440mV
1AC100S	100A	440mV
1ACR100S	100A	200mA

Table1: Models